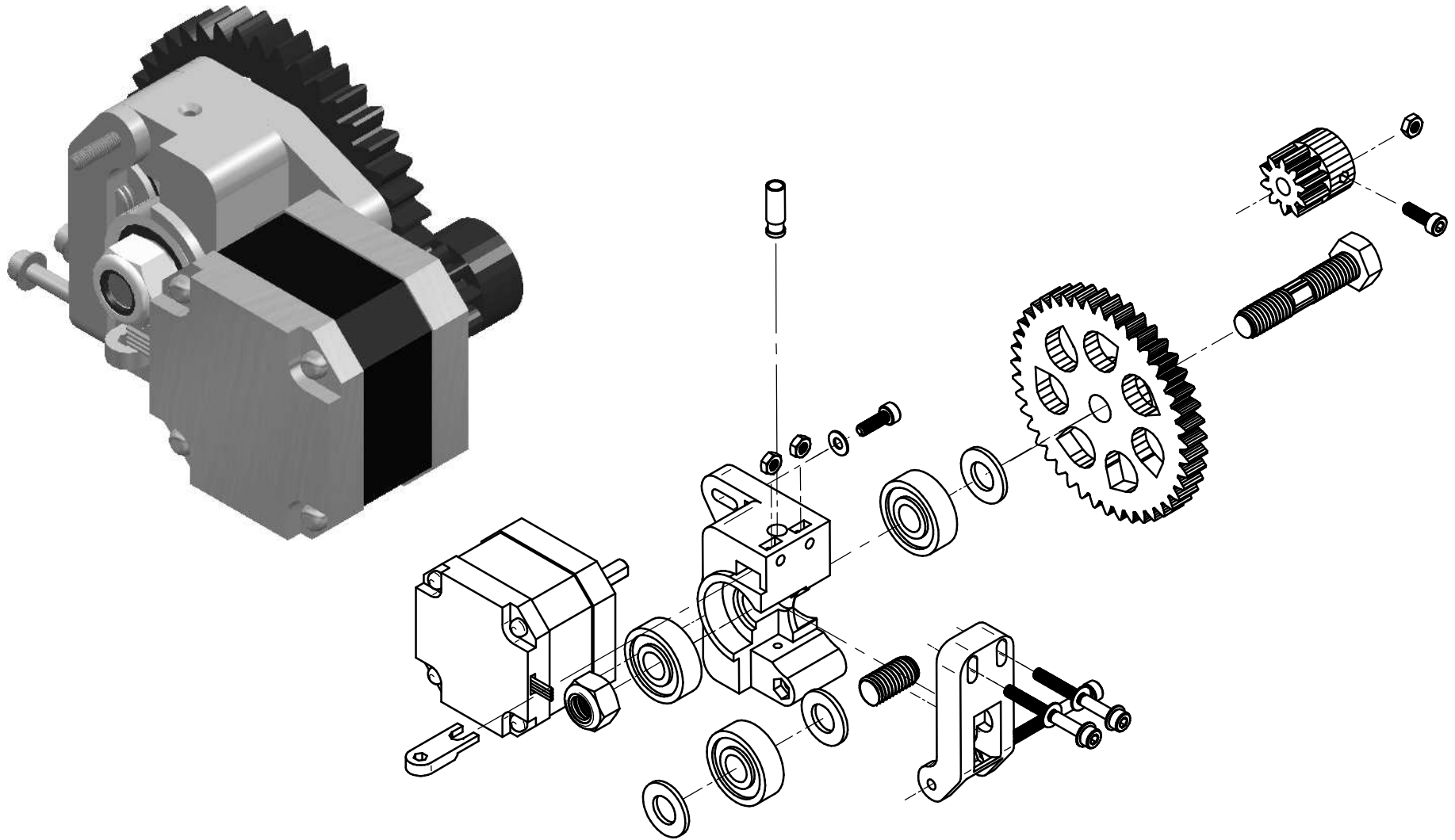


VER	MODIFICATION/ REVISION HISTORY	PAR / BY	DATE
A	ORIGINAL	PL	2014-04-27



UNLESS OTHERWISE SPECIFIED DIMENSIONS ARE IN INCHES ANSI Métriques X/X : ± 1/32" ----- X : ± 1/32" ± 0.80mm X.X : ± 0.25mm X.XX : ± 0.010" ± 0.12mm X.XXX : ± 0.005" ----- < : ± 1°	DRAWN Pascal	DATE 2014-04-24	MATERIAL	FINISH Erreur : Aucune référence						
	ENG APPR Pascal	DATE 2014-04-27	CHECKED Pascal	DATE 2014-04-27	SCALE 1:1	SHEET 1 / 1	SIZE A	Solid Edge ST6		
	DESCRIPTION Extruder Smartrap							PART NUMBER	VERSION A	REVISION 01
	THIS DOCUMENT IS THE PROPERTY OF PASCAL LAUREY. IT MUST NOT BE REVEALED, USED OR REPRODUCED IN WHOLE OR IN PART WITHOUT THE WRITTEN AUTHORIZATION FROM PASCAL LAUREY									